

APPLICATION : Dam sluice gate

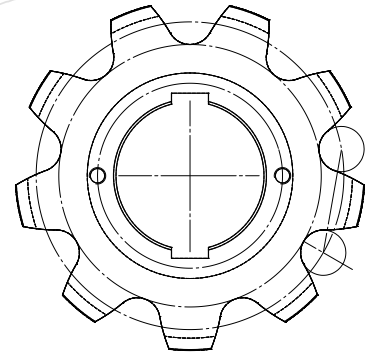
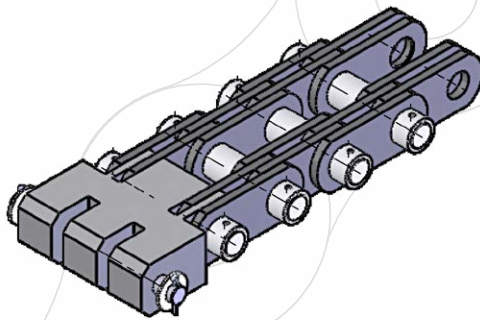
LOCALISATION : France

DIFFICULTY : Seizure

CHAIN TYPE : Galle chain

CASE HISTORY

For many years, our customer had used a 48B-3 transmission chain to manoeuvre their sluice gate. But this chain used to break prematurely because of the seizure of articulations which stiffened the links, and this chain had to be replaced very regularly.

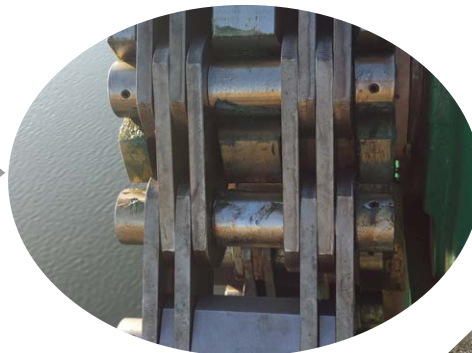


Our technical services have reviewed the application to propose another type of chain which would have an increased service life, while ensuring proper functioning without modifying the existing system. Our calculations have allowed to design a chain and Galle wheels, with a minimum increase of the diameter of these wheels.

BEFORE



AFTER



There are many advantages : the chain articulations don't block anymore, the chain breaking load got improved from 1500 kN to 1950 kN, and its maintenance is now easier and cheaper !

BREAKING LOAD

+ 30%

for a longer service life

