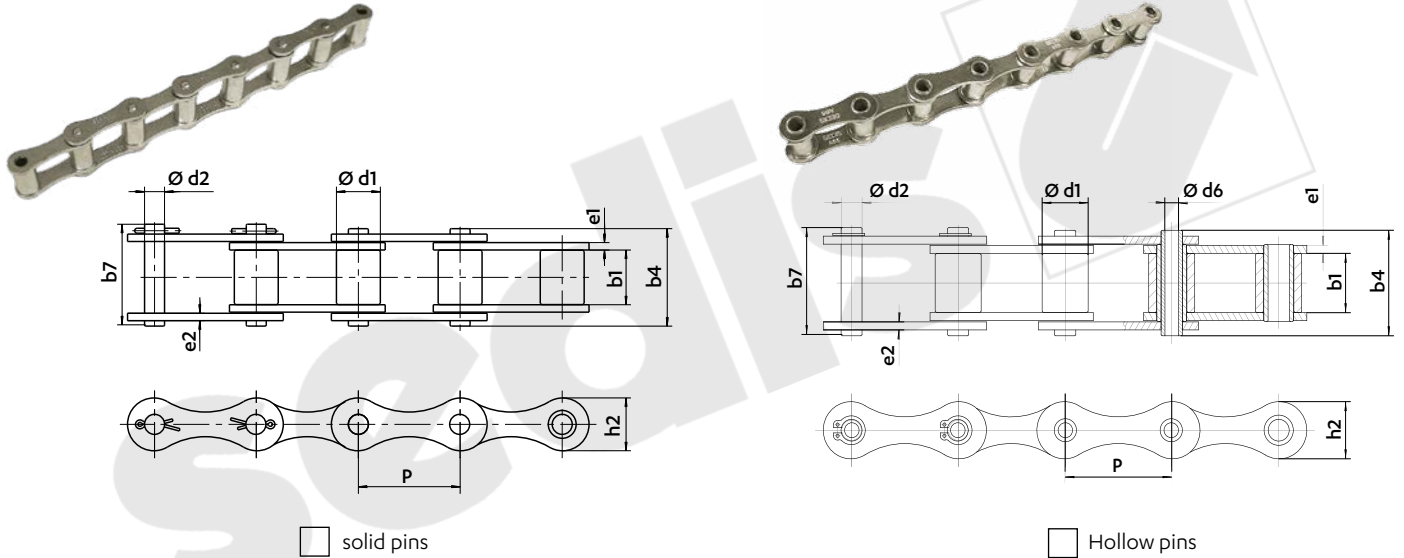


**CUSTOMER INFORMATION**

Company: \_\_\_\_\_ Date : \_\_\_\_\_ FILE N°: \_\_\_\_\_  
 Name: \_\_\_\_\_ Email : \_\_\_\_\_ Phone: \_\_\_\_\_

**CHAIN SPECIFICATIONS**


Number of chains: \_\_\_\_\_  
 Length of chain:  Metres  Number of links  Feet




|                         | P                            | b1          | d1       | d2    | b4                      | h2           | e1                    | e2                    | d6                 |
|-------------------------|------------------------------|-------------|----------|-------|-------------------------|--------------|-----------------------|-----------------------|--------------------|
| Chain reference         | Pitch                        | Inner width | roller Ø | pin Ø | width over riveted pins | Plate height | Outer plate thickness | Inner plate thickness | hollow pin inner Ø |
|                         | mm                           | min.        | max.     | max.  | max.                    | max.         | nom.                  | nom.                  | min.               |
| <b>Customer request</b> |                              |             |          |       |                         |              |                       |                       |                    |
| <b>SEDIS Proposal</b>   | Minimum Breaking load (kN) = |             |          |       |                         |              |                       |                       |                    |

Special conditions of the application (environment, temperature...):

**CONNECTING LINKS**

**N° 205**  External link to be riveted

OR

**N° 208**  Cotteded connecting link

Indicate the quantity