

CUSTOMER INFORMATION

Company:

Date :

FILE N°:

Name:

Email :

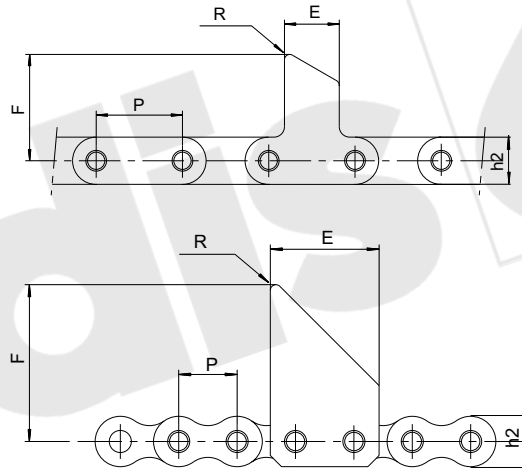
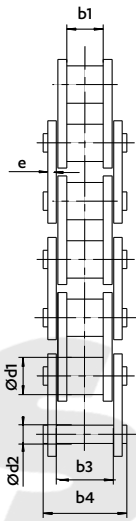
Phone:

CHAIN SPECIFICATIONS

Number of chains:

Length of chain:

Metres Number of links Feet



Straight side plates

Waisted plates

Chain type	P	b1	d1	d2	b4	h2	e	E	F	R
Pitch	Inner width	roller Ø	pin Ø	width over riveted pins	Plate height	vertical plate thickness	Angle plate width	Angle plate height	Plate angle radius	
mm	min.	max.	max.	max.	max.	max.	nom.			
Customer request										
SEDIS Proposal	Minimum Breaking load (kN) =									

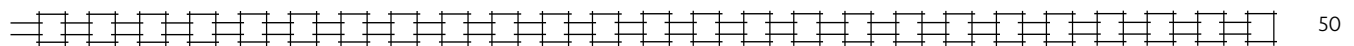
Special conditions of the application (environment, temperature...):

Attachments mounted on: Inner plates Outer plates Outer & inner plates
 One side Both sides Every other side

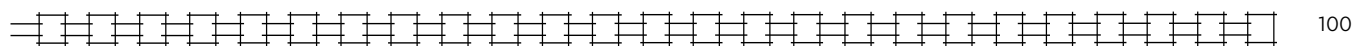
Frequency of attachments:

Or indicate the side and positioning of attachments on the drawing below:

Number of links



50



100

CONNECTING LINKS

N° 205



External link to be riveted

Quantity

N° 206



Connecting link with spring clip

N° 208



Cottered connecting link

N° 209



Connecting link with self locking nuts

N° 216



Single cranked cottered link

N° 217



Single cranked link with self locking nuts

N° 221



Double cranked link