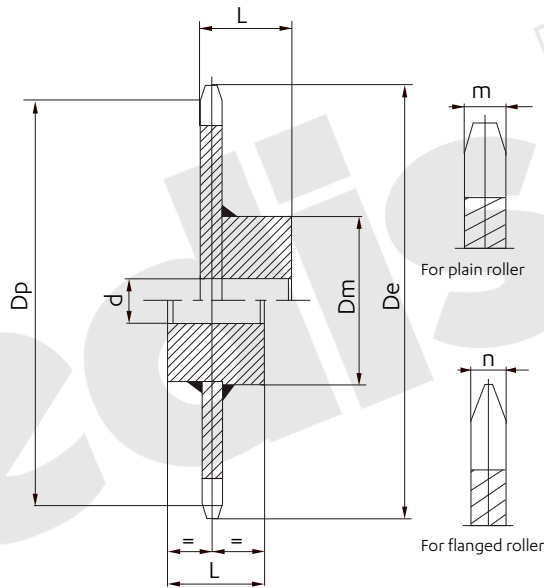


CUSTOMER INFORMATION

Company:	Name:	Date:
Email:	Phone:	Fax:

WHEELS SPECIFICATIONS

Quantity:



	Chain type (pitch, articulation Ø)	Number of teeth Z	Circle diameter DP	Outside diameter De	HUB				TEETH	
					hub diameter Dm	Bore diameter d	One-sided hub L	Symetrical hub L	Tooth width	
									m	n
Customer request										
SEDIS Proposal	Material =>									
	Treatment =>									

Special conditions of the application (environment, temperature...):