

PAPER INDUSTRY

The SEDIS know-how
in chains and sprockets
at the service of the
paper making industry

35, rue des Bas-Trévois
BP 104 - 10003 Troyes Cedex - France
Tél : +33 (0)3 25 76 29 50 - Fax : +33 (0)3 25 80 31 62
web : www.sedis.com - e-mail : <https://sedis.com/contact>



More than 40 years of research and development to serve you better.





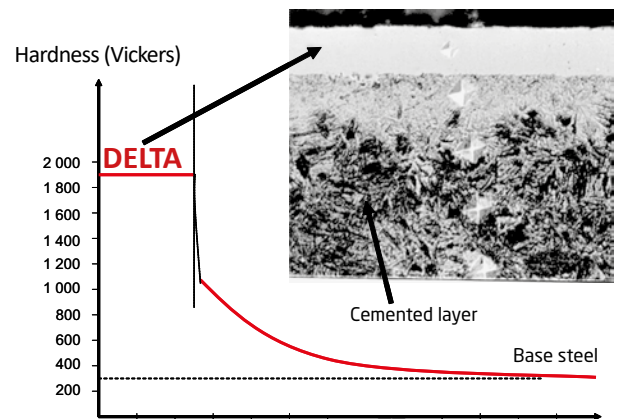
DELTA® Chains

for demanding working conditions

Anti-wear: DELTA® HR

- > In a abrasive environment, high speed, random maintenance
- > Thanks to a SEDIS exclusive thermochemical treatment, DELTA® HR chain links reach extremely high hardnesses of 1800 HV
- > Control of the friction coefficient

Anti-elongation



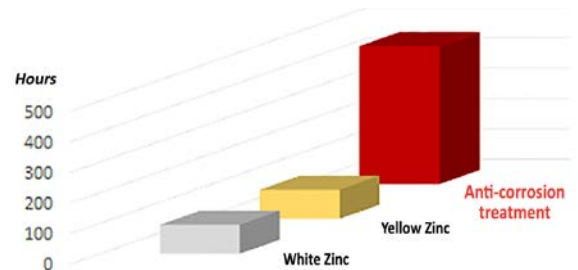
Anti-corrosion: DELTA® Titanium 2

GUARANTEED 100% CHROMIUM 6 FREE TREATMENT

- > An anti-wear and anti-corrosion chain : DELTA® TITANIUM 2
- > High mechanical resistance: no hydrogen embrittlement.
- > Certification: NO HEAVY METALS in conformity with European legislation (directives 2000/53/CE & 2002/95/CE)

Anti-corrosion

Salt mist according to ASTM B117

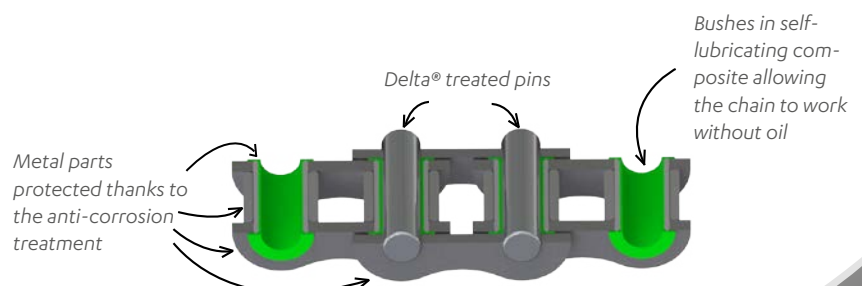


Maintenance-free: DELTA® VERTE®

100% ECOLOGICAL

- > No pollution to transported products
- > Eliminated maintenance costs
- > No lubricant
- > Works in water
- > High- and low-temperature applications

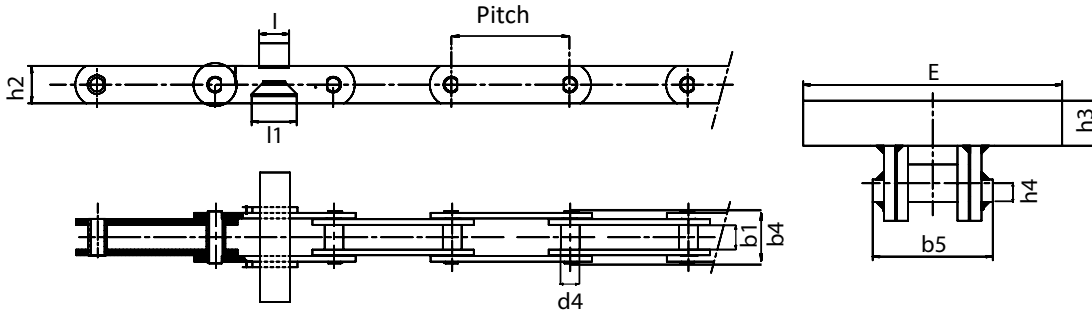
Lubrication-free



Transformation of wood into fibres

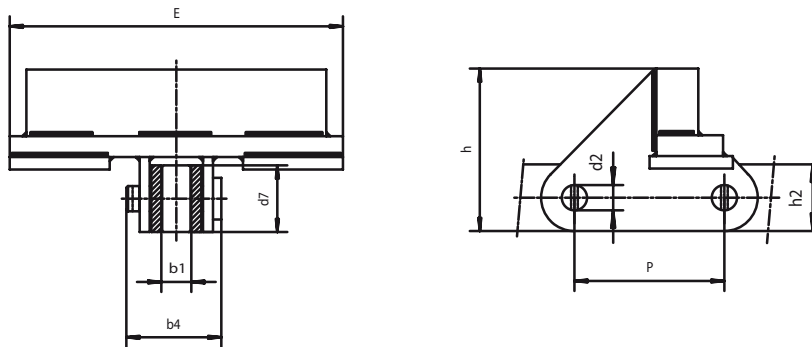
Wood log transport chains

Chains equipped with pushrods welded to outer links



Pitch	b1	b4	d4	l	E	h3	l1	h4	b5
315	66	140	50	80	345	60	120	30	160

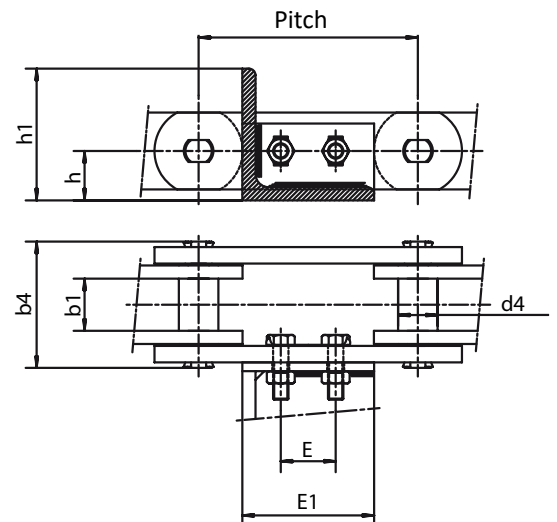
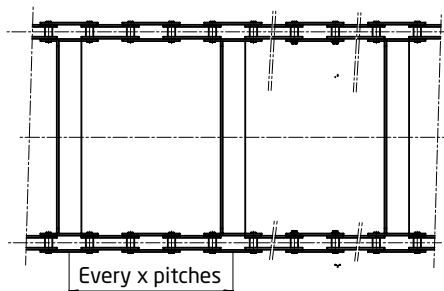
Chains with projecting plates equipped with pushrods



Pitch	b1	h2	b4	d7	h	E
180	36	80	114	80	195	400

Bark transport chains

2 chains mounted in parallel to form an apron. The outer plates are drilled with 2 holes to fasten the conveyor blades.

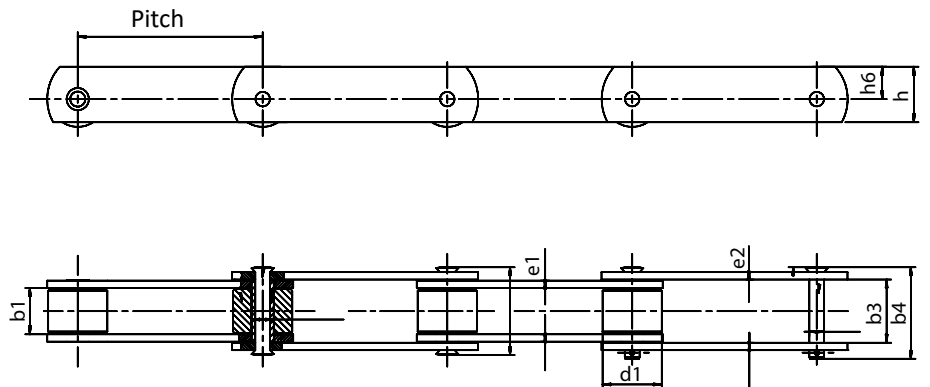


Pitch	b1	b4	d4	h	h1	E	E1
200	47,5	115	36	45	120	50	120

Paper pulp preparation

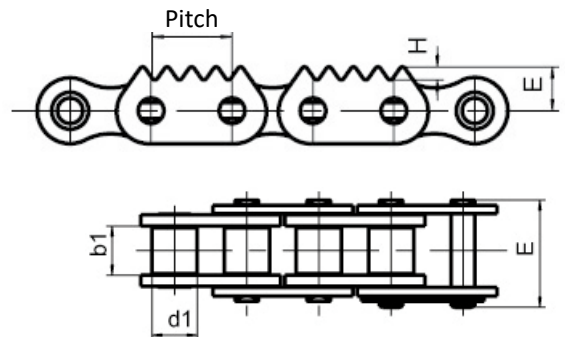
Bale transport chains

Chains with deep link plates



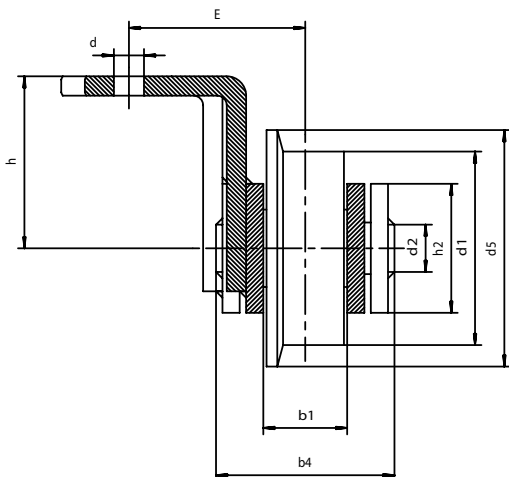
Pitch	b1	b3	b4	d2	d4	d1	e1	e2	h	h6
100	26	44	62	24	32	70	5	8	70	45
125	26	44	62	24	32	70	5	8	70	45
160	26	44	62	24	32	70	5	8	70	45
160	38	58	82	28	38	90	8	8	90	60
200	26	44	62	24	32	70	5	8	70	45
200	38	58	82	28	38	90	8	8	90	60
200	38	66	94	29	38	100	10	12	110	76

Chains equipped with spiked plates



Pitch	d1	b1	b4	E	H
25,4	15,88	17,02	35,1	13,7	4

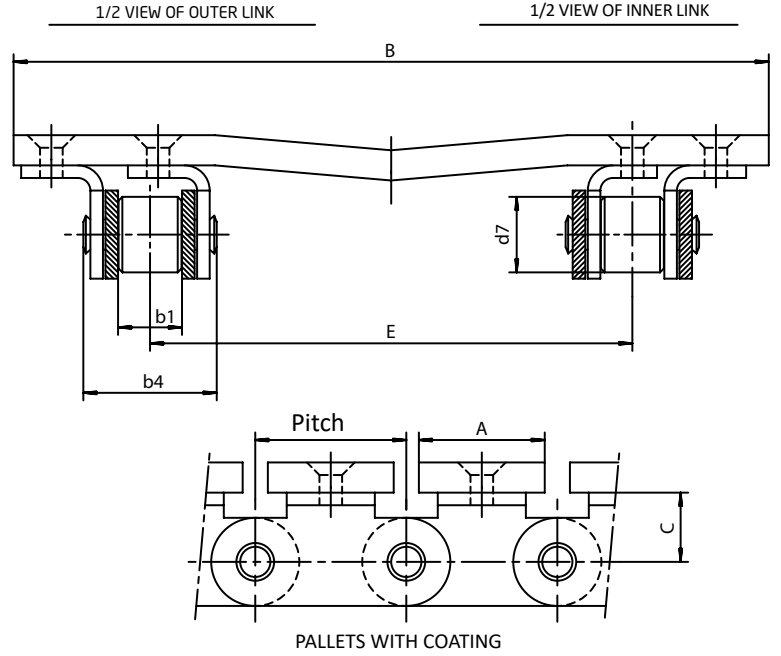
Pulper feed apron chains



Pitch	b1	b4	d1	d5	h	E	d
200	39	83	90	110	80	82	14

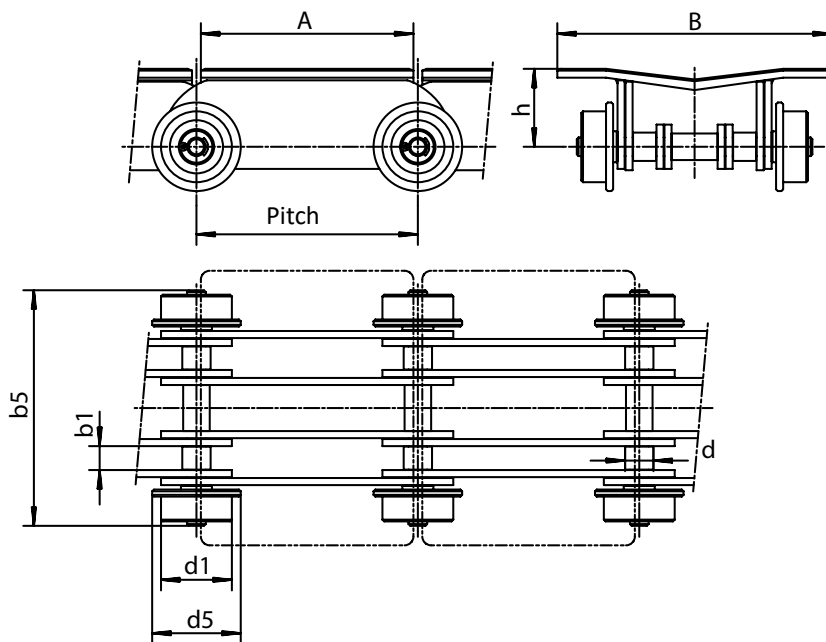
Spools transport

Apron mounted with 2 chains in parallel equipped with V pallets fastened to attachments. Possibility to have the pallets coated.



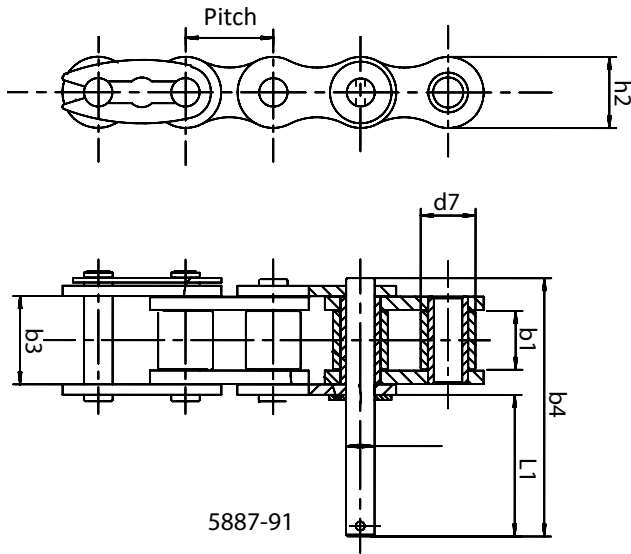
Pitch	b1	b4	d7	h	E	A	B
60	26,5	55,5	24	27,5	251,6	50	360
60	25,4	52	30	27,5	191,6	50	300
60	24,4	52	30	27,5	251,6	50	360

Chains with welded V pallets and shoulder bearings on extended pins.

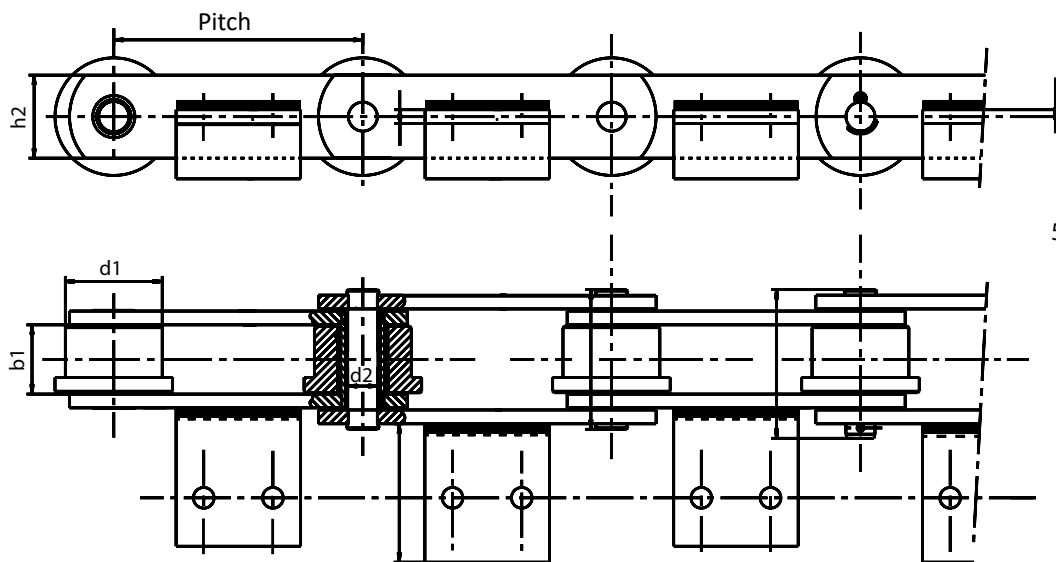


Pitch	b1	b5	d1	d5	d	h	A	B
250	27	266	80	100	32	88	240	310

Product transformation



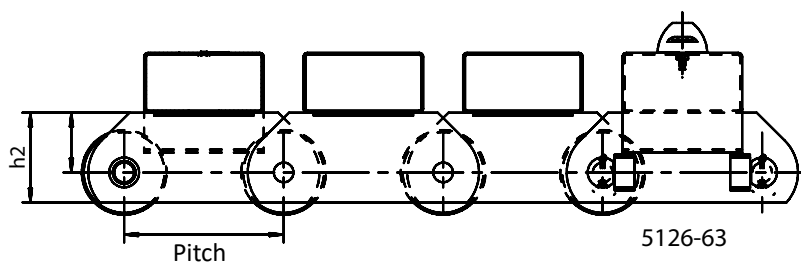
Production of unwoven paper



Ref	Pitch	b1	b4	h2	d2	d7	d1
5126-63	120			90			
5887-91	25,4	17,02	74,8	20,8	8,25	15,88	
5408-26	180	50		60	22		70

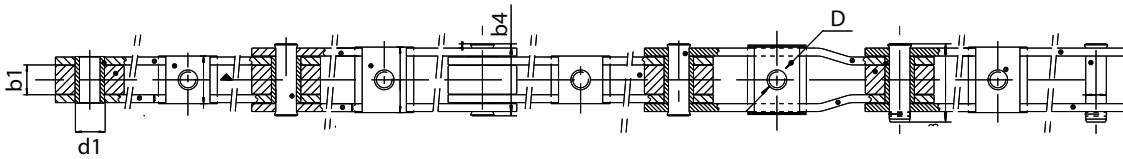
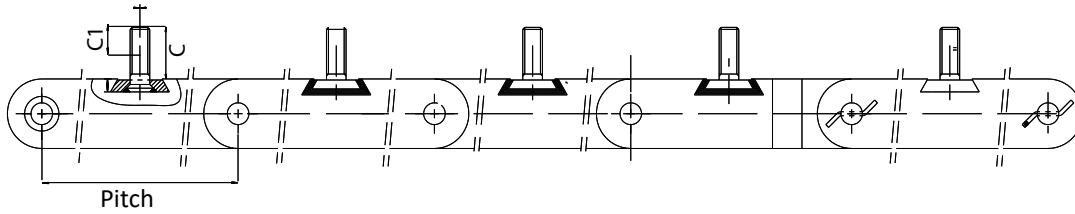


Transport of the raw material spools



Water filtration and treatment

Chains for panel holder rotary filtering screen

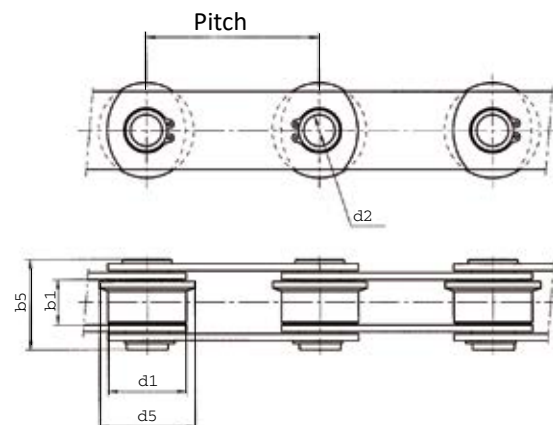


Pitch	b1	b4	d1	D	C1	C
300	27	60	50	M16	25	32
400	30	71	90	M20	32	37
500	36	85	70	M24	40	53
500	36	85	100	M24	40	63
500	36	88	84	M24	32	42
600	38	86	90	M20	42	45



Chains with hollow pins for claw bar screen

In steel or stainless steel



Pitch	b1	d2	b5	d1	d5
100	26,5	18,3	53	45	55
200	42,9	35,5	59	75	90

