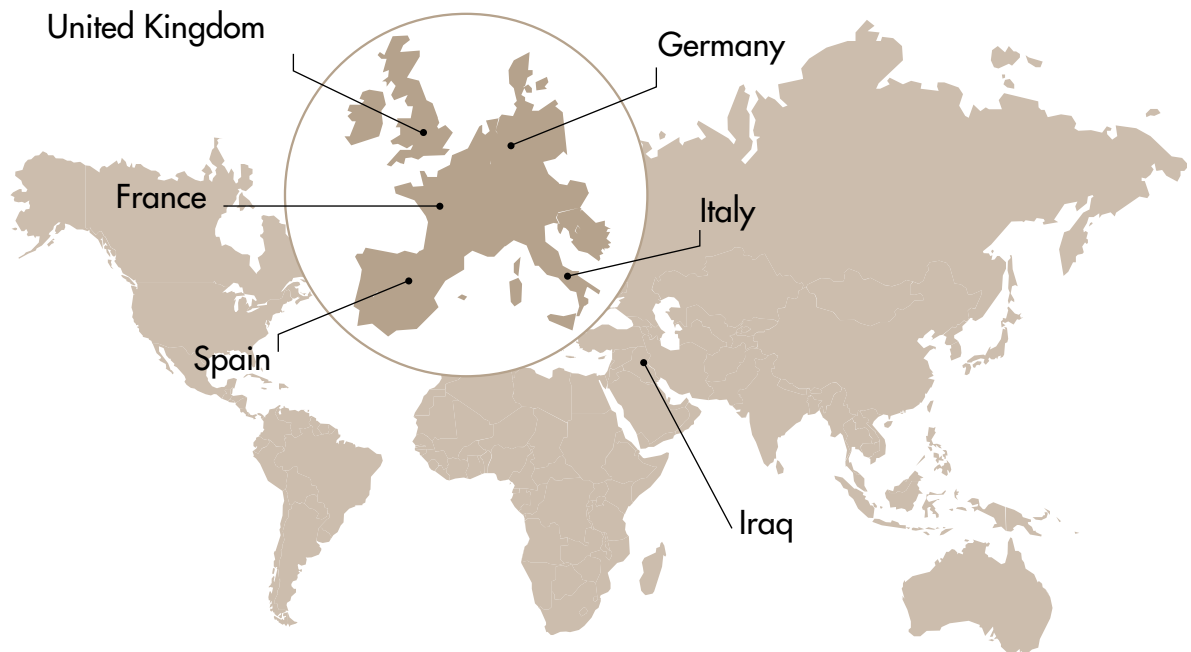


The Sedis chain is a
field-proven product

WASTE TREATMENT

35, rue des Bas-Trévois
BP 104 - 10003 Troyes Cedex - France
Tél : +33 (0)3 25 76 29 50 - Fax : +33 (0)3 25 80 31 62
web : www.sedis.com - e-mail : <https://sedis.com/contact>



For many years, SEDIS competences have been at the service of waste treatment stations.



Treatment of household refuse



Treatment of cardboards



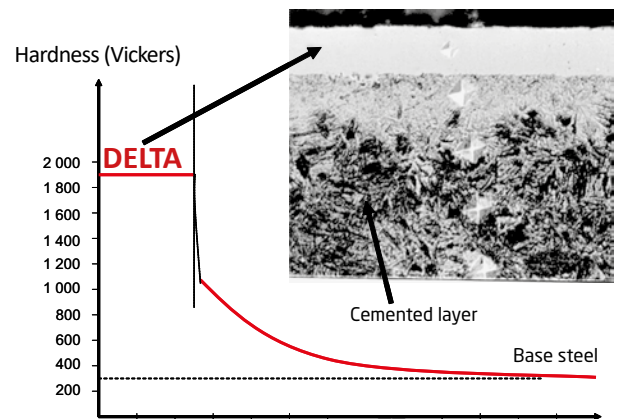
DELTA® Chains

for extreme working conditions

Anti-wear: DELTA® HR

- > In a abrasive environment, high speed, random maintenance
- > Thanks to a SEDIS exclusive thermochemical treatment, DELTA® HR chain links reach extremely high hardnesses of 1800 HV
- > Control of the friction coefficient

Anti-elongation



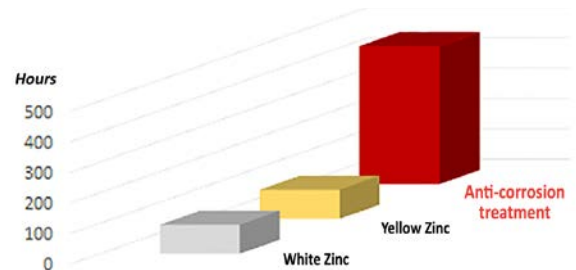
Anti-corrosion: DELTA® Titanium 2

GUARANTEED 100% CHROMIUM 6 FREE TREATMENT

- > An anti-wear and anti-corrosion chain : DELTA® TITANIUM 2
- > High mechanical resistance: no hydrogen embrittlement.
- > Certification: NO HEAVY METALS in conformity with European legislation (directives 2000/53/CE & 2002/95/CE)

Anti-corrosion

Salt mist according to ASTM B117

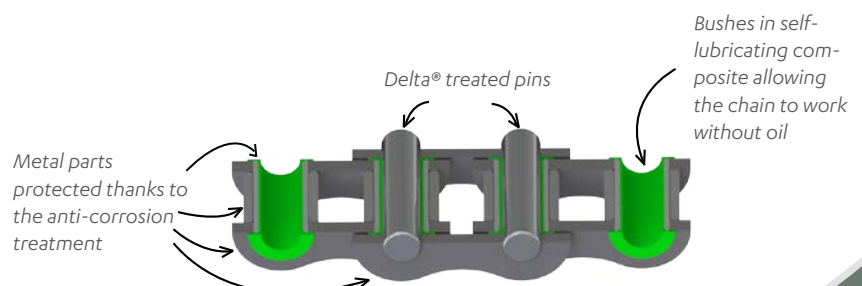


Maintenance-free: DELTA® VERTE®

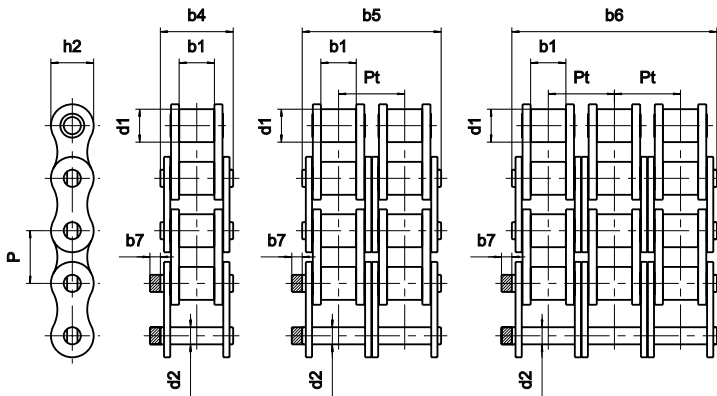
100% ECOLOGICAL

- > No pollution to transported products
- > Eliminated maintenance costs
- > No lubricant
- > Works in water
- > High- and low-temperature applications

Lubrication-free

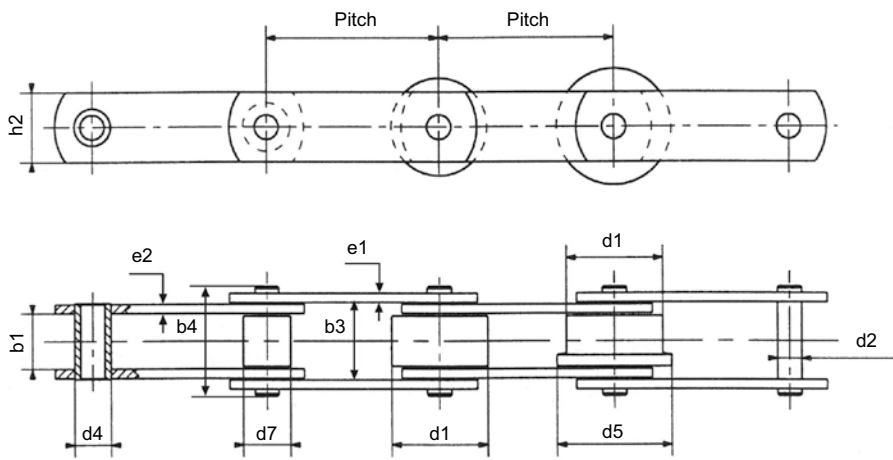


Transmission chains - Delta® HR Range



CHAINS			TECHNICAL SPECIFICATIONS (IN MM)								BREAKING LOAD				CONNECTING LINK						
ISO 606	SEDIS chain	pitch (inches)	Pitch (mm)	Ø roller	inner width	Pin length	pin Ø	plate height	transversal pitch	pin extension B7	ISO 606 regulation	min	average	n°200	n°205	n°206	n°208	n°209	n°216	n°217	n°221
		P	P	d1	b1	b4	d2	h2	Pt												
BS SIMPLEX																					
08B-1	7ND	0,5	12,7	8,51	7,75	16,6	4,45	11,8		1,5	17,8	18,2	20,4	✓	✓	✓				✓	✓
10B-1	11ND	0,625	15,875	10,16	9,65	19	5,08	13,7		1,5	22,2	23	27,2	✓	✓	✓				✓	✓
12B-1	13ND	0,75	19,05	12,07	11,68	22,3	5,72	16,2		1,5	28,9	30,5	34,8	✓	✓	✓				✓	✓
16B-1	15TD	1	25,4	15,88	17,02	35,1	8,28	20,8		3	60	75	87	✓	✓	✓	✓			✓	✓
20B-1	17TD	1,25	31,75	19,05	19,56	40,5	10,19	25,4		6,1	95	110	119	✓	✓	✓	✓	✓		✓	✓
24B-1	18TD	1,5	38,1	25,4	25,4	53,1	14,63	32,3		6,6	160	180	198	✓	✓	✓	✓	✓		✓	✓
28B-1	20TD	1,75	44,45	27,94	30,95	65,1	15,9	37		7,4	200	235	251,5	✓	✓	✓	✓	✓		✓	✓
32B-1	22TD	2	50,8	29,21	30,99	63,6	17,81	42,3		7,9	250	300	321	✓	✓	✓	✓	✓		✓	✓
BS DUPLEX																					
08B-2	207ND	0,5	12,7	8,51	7,75	30,6	4,45	11,8	13,92	1,5	31,1	36,4	40,8	✓	✓	✓				✓	✓
10B-2	211ND	0,625	15,875	10,16	9,65	35,75	5,08	13,7	16,59	1,5	44,5	46	54,4	✓	✓	✓				✓	✓
12B-2	213ND	0,75	19,05	12,07	11,68	41,8	5,72	16,2	19,46	1,5	57,8	61	69,5	✓	✓	✓				✓	✓
16B-2	215TD	1	25,4	15,88	17,02	68	8,28	20,8	31,88	3	106	150	174	✓	✓	✓	✓			✓	✓
20B-2	217TD	1,25	31,75	19,05	19,56	77	10,19	25,4	36,45	6,1	170	220	239,8	✓	✓	✓	✓	✓		✓	✓
24B-2	218TD	1,5	38,1	25,4	25,4	101,8	14,63	32,3	48,36	6,6	280	360	396	✓	✓	✓	✓	✓		✓	✓
28B-2	220TD	1,75	44,45	27,94	30,95	124,7	15,9	37	59,56	7,4	360	470	502,9	✓	✓	✓	✓	✓		✓	✓
32B-2	222TD	2	50,8	29,21	30,99	122,8	17,81	42,3	58,55	7,9	450	600	642	✓	✓	✓	✓	✓		✓	✓
BS TRIPLEX																					
09B-3	307ND	0,5	12,7	8,51	7,75	44,6	4,45	11,8	13,92	1,5	44,5	54,6	61,2	✓	✓	✓				✓	✓
10B-3	311ND	0,625	15,875	10,16	9,65	52,3	5,08	13,7	16,59	1,5	66,7	69	81,6	✓	✓	✓				✓	✓
12B-3	313ND	0,75	19,05	12,07	11,68	61,4	5,72	16,2	19,46	1,5	86,7	91,5	104,3	✓	✓	✓				✓	✓
16B-3	315TD	1	25,4	15,88	17,02	99,9	8,28	20,8	31,88	3	160	225	261	✓	✓	✓	✓			✓	✓
20B-3	317TD	1,25	31,75	19,05	19,56	113,5	10,19	25,4	36,45	6,1	250	330	359,7	✓	✓	✓	✓	✓		✓	✓
24B-3	318TD	1,5	38,1	25,4	25,4	150,2	14,63	32,3	48,36	6,6	425	540	594	✓	✓	✓	✓	✓		✓	✓
28B-3	320TD	1,75	44,45	27,94	30,95	184,6	15,9	37	59,56	7,4	530	705	754,4	✓	✓	✓	✓	✓		✓	✓
32B-3	322TD	2	50,8	29,21	30,99	181,7	17,81	42,3	58,55	7,9	670	900	963	✓	✓	✓	✓	✓		✓	✓
ANSI SIMPLEX																					
08A-1	40-1	0,5	12,7	7,93	7,85	16,3	3,98	11,5		1,5	13,9	18		✓	✓	✓	✓			✓	✓
10A-1	50-1	0,625	15,875	10,15	9,55	20,45	5,09	13,7		1,5	21,8	28		✓	✓	✓	✓			✓	✓
12A-1	60-1	0,75	19,05	11,91	12,65	25,4	5,96	16,2		4	31,3	38		✓	✓	✓	✓			✓	✓
16A-1	80-1	1	25,4	15,88	15,87	32,8	7,94	20,8		4	55,6	62		✓	✓	✓	✓			✓	✓
20A-1	100-1	1,25	31,75	19,05	19,05	39,6	9,53	25,4		6,1	87	99		✓	✓	✓	✓			✓	✓
24A-1	120-1	1,5	38,1	22,22	25,4	49,6	11,10	35,2		6,6	125	140		✓	✓	✓	✓			✓	✓
28A-1	140-1	1,75	44,45	25,4	25,4	53,5	12,7	42		7	170	178		✓	✓	✓	✓			✓	✓
32A-1	160-1	2	50,8	28,58	31,75	64	14,27	48,2		7	223	228		✓	✓	✓	✓			✓	✓
ANSI DUPLEX																					
08A-2	40-2	0,5	12,7	7,93	7,85	30,8	3,98	11,5	14,38	1,5	27,8	36		✓	✓	✓				✓	✓
10A-2	50-2	0,625	15,875	10,15	9,55	38,9	5,09	13,7	18,1	1,5	43,6	56		✓	✓	✓				✓	✓
12A-2	60-2	0,75	19,05	11,91	12,65	48,3	5,96	16,2	22,78	4	62,3	76		✓	✓	✓	✓			✓	✓
16A-2	80-2	1	25,4	15,88	15,87	62,3	7,94	20,8	29,29	4	111,2	124		✓	✓	✓	✓			✓	✓
20A-2	100-2	1,25	31,75	19,05	19,05	75,5	9,53	25,4	35,76	6,1	174	198		✓	✓	✓	✓			✓	✓
24A-2	120-2	1,5	38,1	22,22	25,4	95,3	11,1	35,2	45,44	6,6	250	280		✓	✓	✓	✓			✓	✓
28A-2	140-2	1,75	44,45	25,4	25,4	102,6	12,7	42	48,87	7	340	356		✓	✓	✓	✓			✓	✓
32A-2	160-2	2	50,8	28,58	31,75	123	14,27	48,2	58,55	7	446	456		✓	✓	✓	✓			✓	✓
ANSI TRIPLEX																					
08A-3	40-3	0,5	12,7	7,93	7,85	45,3	3,98	11,5	14,38	1,5	41,7	54		✓	✓	✓				✓	✓
10A-3	50-3	0,625	15,875	10,15	9,55	57	5,09	13,7	18,1	1,5	65,4	84		✓	✓	✓				✓	✓
12A-3	60-3	0,75	19,05	11,91	12,65	71,1	5,96	16,2	22,78	4	93,4	114		✓	✓	✓				✓	✓
16A-3	80-3	1	25,4	15,88	15,87	91,8	7,94	20,8	29,29	4	166,8	186		✓	✓	✓	✓			✓	✓
20A-3	100-3	1,25	31,75	19,05	19,05	112,1	9,53	25,4	35,76	6,1	261	297		✓	✓	✓	✓			✓	✓
24A-3	120-3	1,5	38,1	22,22	25,4	140,9	11,1	35,2	45,44	6,6	375	420		✓	✓	✓	✓			✓	✓
28A-3	140-3	1,75	44,45	25,4	25,4	152,4	12,7	42	48,87	7	510	534		✓	✓	✓	✓			✓	✓
32A-3	160-3	2	50,8	28,58	31,75	182	14,27	48,2	58,55	7	669	684		✓	✓	✓	✓			✓	✓

Chains for household refuse

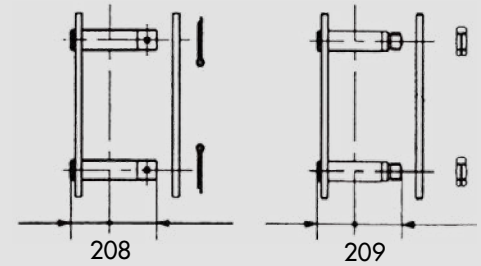


The Chains are equipped with :

- bushes,
- rollers,
- plain wheels or flanged wheels

The bearings are made of treated hard steels.

The connecting-links available :



Dimensions in mm

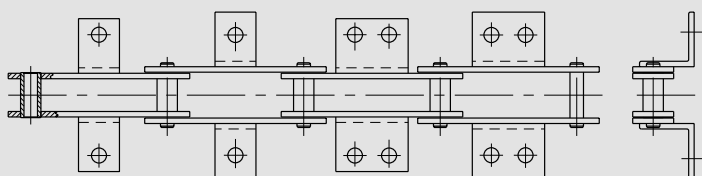
Chain	Pitch									Width between inner plates b1 min.	Width between outer plates b3	Plates height h2	Width on riveted axes b4 max.	Outer plate thickness e2	Inner plate thickness e1	Pin diameter d2 max.	Socket diameter d4 max.	Roller diameter d7 max.	Smooth bearing diameter d1 max.	Shoulder bearing diameter d5 max.	Minimum tensile resistance (kN)
	80	100	125	160	200	250	315	400	500												
M 112	*									31,0	45,7	40	62,0	5,0	6,0	15	21	30,0	60	75	112
M 160		*								36,0	52,7	50	72,0	6,0	7,0	18	25	36,0	70	86	160
M 224			*							42,0	60,8	60	81,2	6,0	8,0	21	30	42,0	85	105	224
M 315				*						47,6	70,8	70	94,2	8,0	10,0	25	36	50,0	100	125	315
M 450					*					55,5	82,9	80	112,5	10,0	12,0	30	42	60,0	120	150	450
M 630						*				66,0	97,0	100	131,5	12,0	15,0	36	50	70,0	140	170	630
M 900							*			78,0	113,0	120	153,0	14,0	16,0	44	60	85,0	170	210	900

Feasible

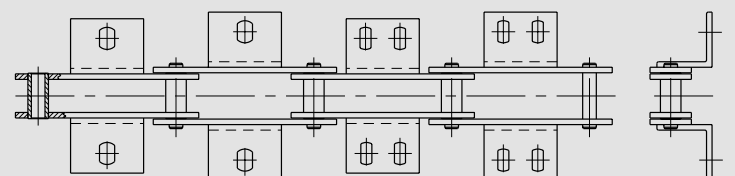
Delivery within 15 days

* Applies only to bush and roller chains

Corresponding «K» attachments



Circular holes

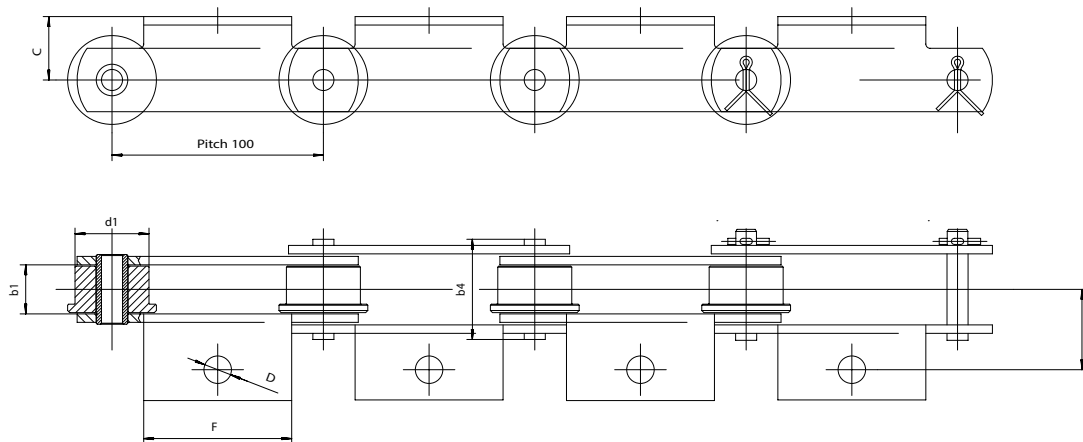


Long holes

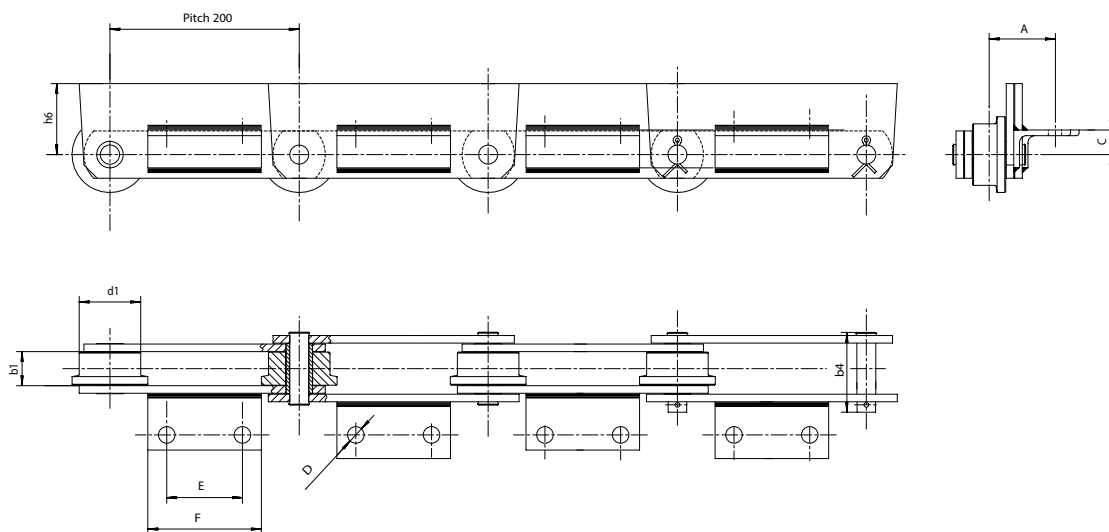
All these chains can be made in the following versions :

- DELTA® HR
- DELTA® TITANIUM 2
- DELTA® VERTE

Chains for general industrial waste (GIW)



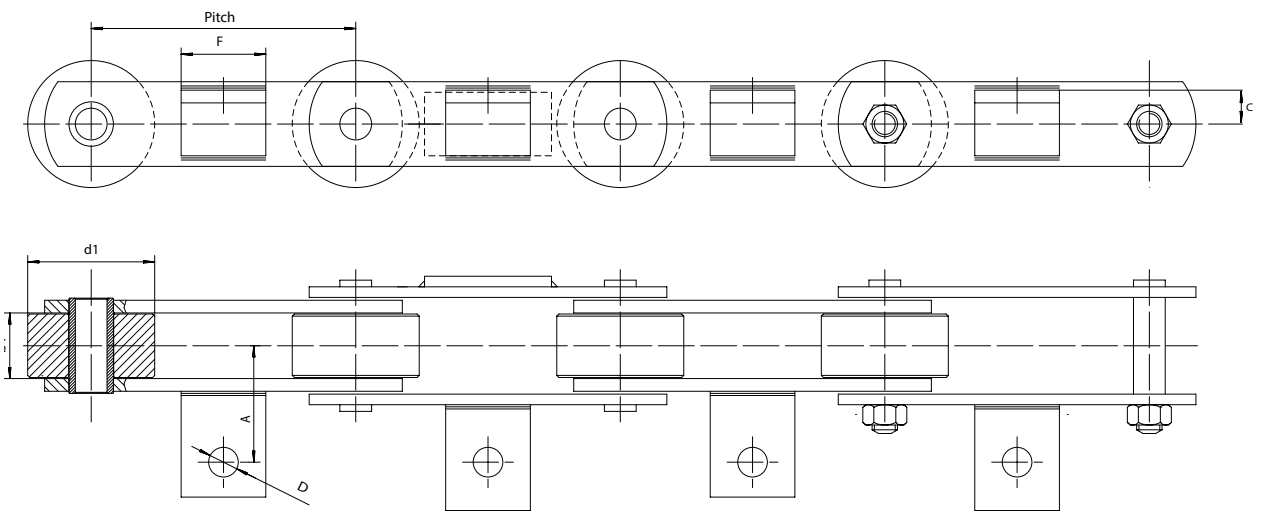
Pitch	b1	b4	d1	A	C	D	F
100	22	45	40	46	24,5	13	70



Pitch	b1	b4	d1	h6	A	C	D	E	F
200	36	84,4	65	75	70	26	17,5	80	120

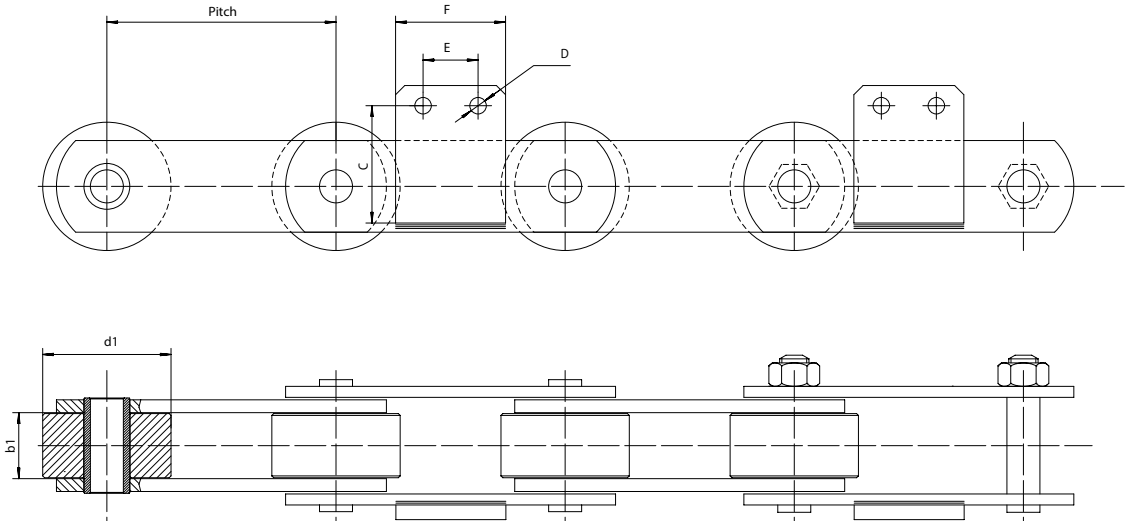


Chains for special industrial waste (SIW)



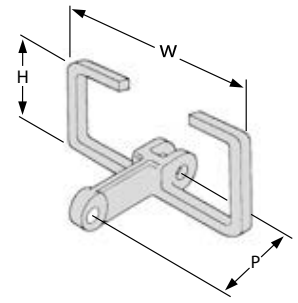
Pitch	b1	d1	A	C	D	F
125	31min	60	59	16	10	65

Chains for green waste composting



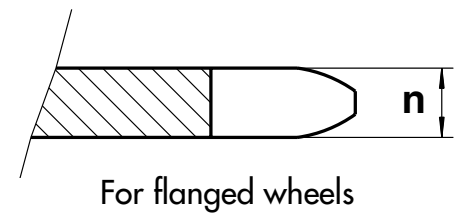
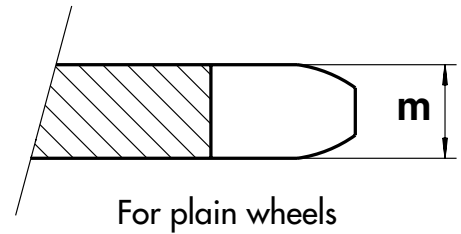
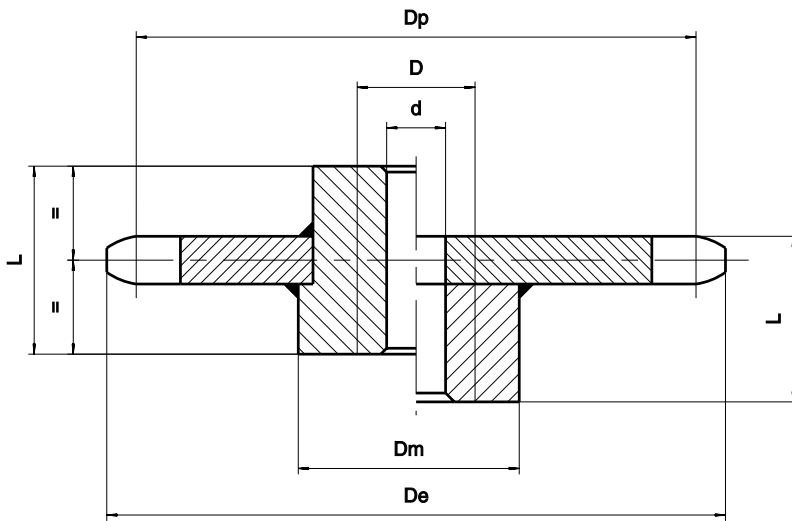
Pitch	b1	d1	C	D	E	F
125	36 min	70	64	9	30	60

Ash scraper chains



P	102	125	142	142	150	160	200	216	250	260
H	36	35	50	50	49	44,5	58	75	75	75
W	28	36	42	62	36	42	68	60	70	71

Sprockets - Discs - Wheels



- > with bored hubs
- > with taper-lock bushes
- > made of STAINLESS STEEL
- > made of STEEL
- made of CAST IRON

Compatible with the chains in this brochure

