

sedis 

THE AUTOMOTIVE INDUSTRY

35, rue des Bas-Trévois
CS 90104 - 10003 Troyes Cedex - France
Tél : +33 (0)3 25 76 29 50 - Fax : +33 (0)3 25 80 31 62
web : www.sedis.com - e-mail : <https://sedis.com/contact>



Chains for the automotive industry



Advanced technology bringing us loyal and prestigious customers such as :

**Audi, BMW, Dacia, EVO Bus, Ford, Honda
Jaguar, Land-Rover, Mercedes, Opel, PSA,
Renault, Toyota, Volkswagen, Volvo...**



Foundry



Stamping



Robotic welding workshop



Engine

ALPHA Premium range



- > The **Sedis ALPHA Premium** chain for demanding applications
- > The **ALPHA Premium BS Inox** stainless steel chain for food industry

DELTA® range

ANTI-WEAR : DELTA® HR



- > In an abrasive environment, at high speed, with random maintenance
- > Thanks to an exclusive **Sedis** thermochemical treatment, the **DELTA® HR** chain links attain extremely high hardnesses to the order of 1900 HV
- > Reduction of the friction coefficient

ANTI-CORROSION : DELTA® TITANIUM 2

TREATMENT GUARANTEED TO BE 100% FREE OF CHROMIUM VI

- > An anti-wear and anti-corrosion chain : **DELTA® TITANIUM 2**
- > High mechanical resistance : no hydrogen embrittlement
- > Certification : NO HEAVY METALS in conformity with European legislation (directives 2000/53/EC and 2002/95/EC).



NO MAINTENANCE : LUB FREE VERTE & DELTA® VERTE ("Green chains")



(100% ECOLOGICAL)

- > No pollution of transported products
- > Large reduction of maintenance costs
- > No lubricant
- > Operates in water
- > High and low temperature applications



shop



Cataphoric dip paint booths



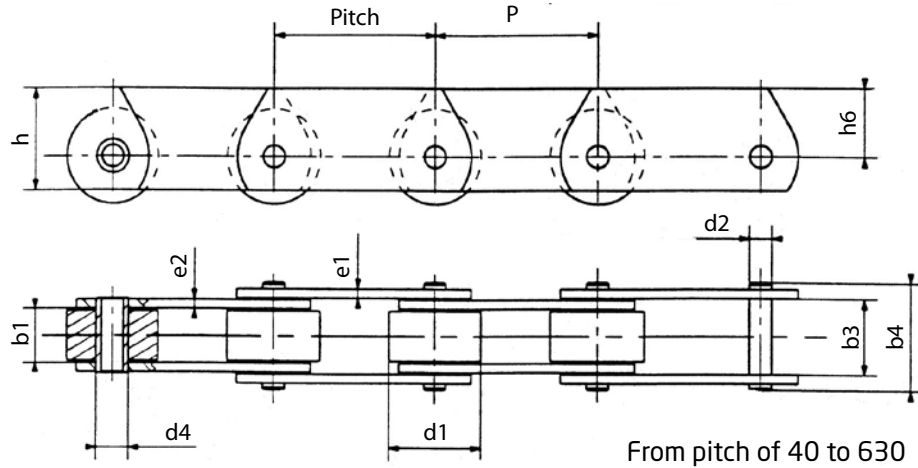
Paint booths



Assembly

Deep side plate chains (also available in our Delta® range)

Type MD 20.56.80.112.160.224.315.450.630.900



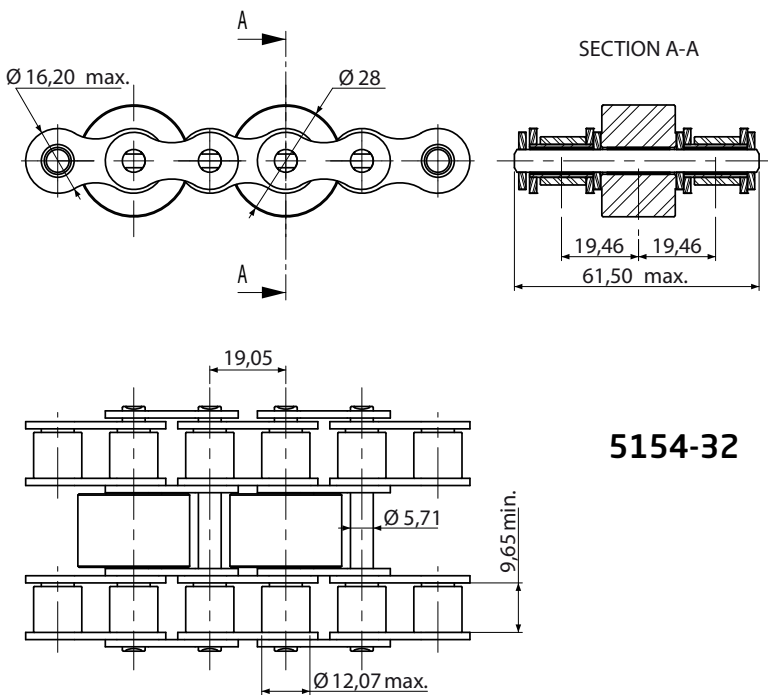
Cottered pins

with connecting links



Screws

Conveyor chains



5154-32

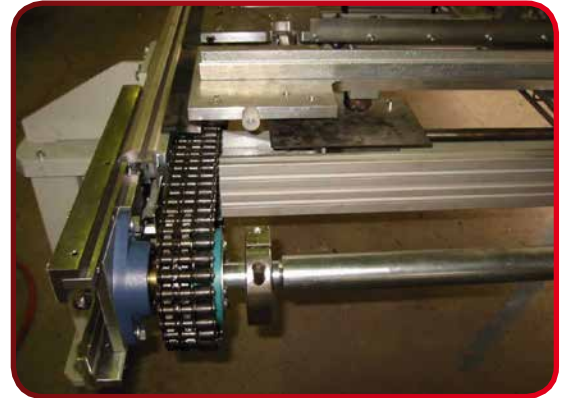
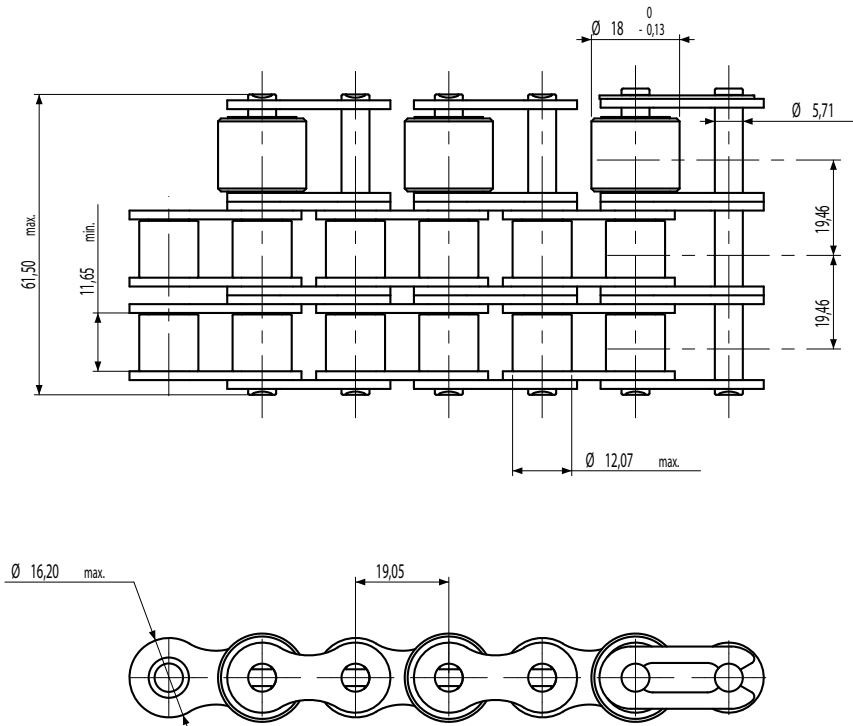
Free flow conveying and accumulating applications



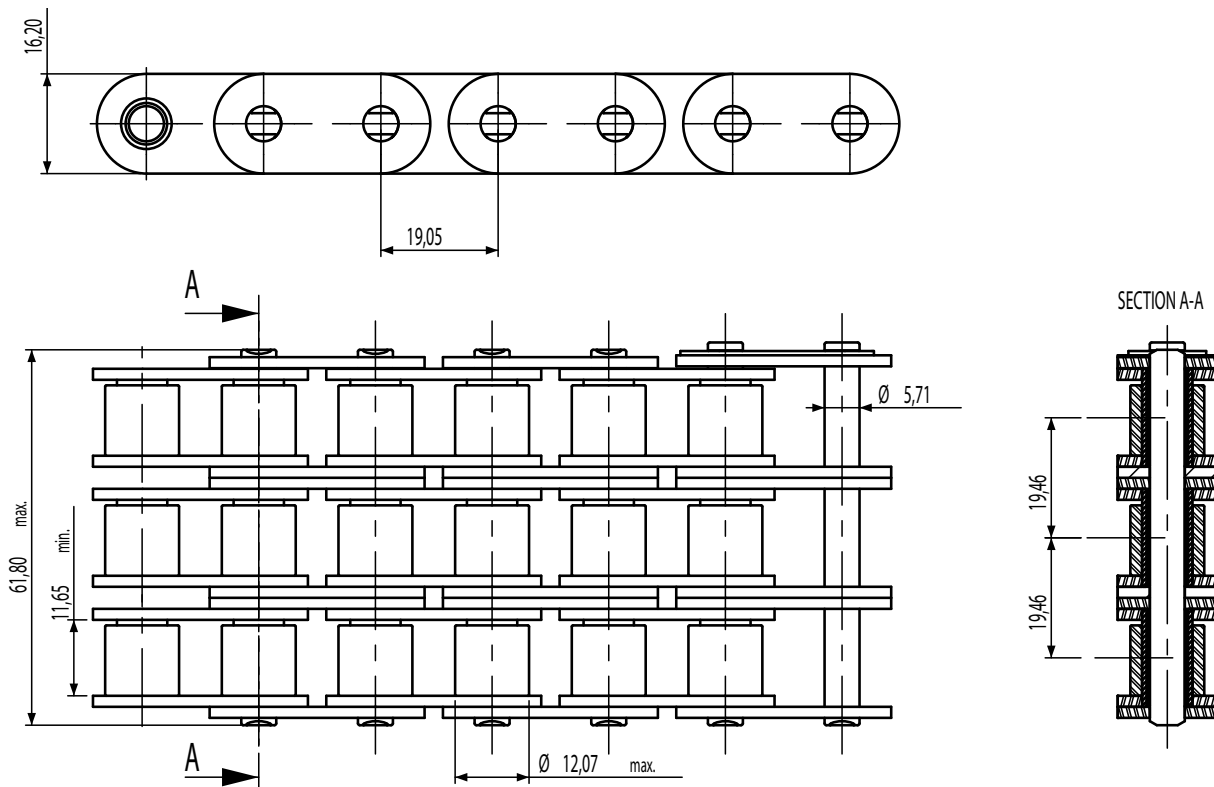
Green chain with steel rollers treated with composite bush

5268-68

Free flow conveying
with lateral accumulation applications

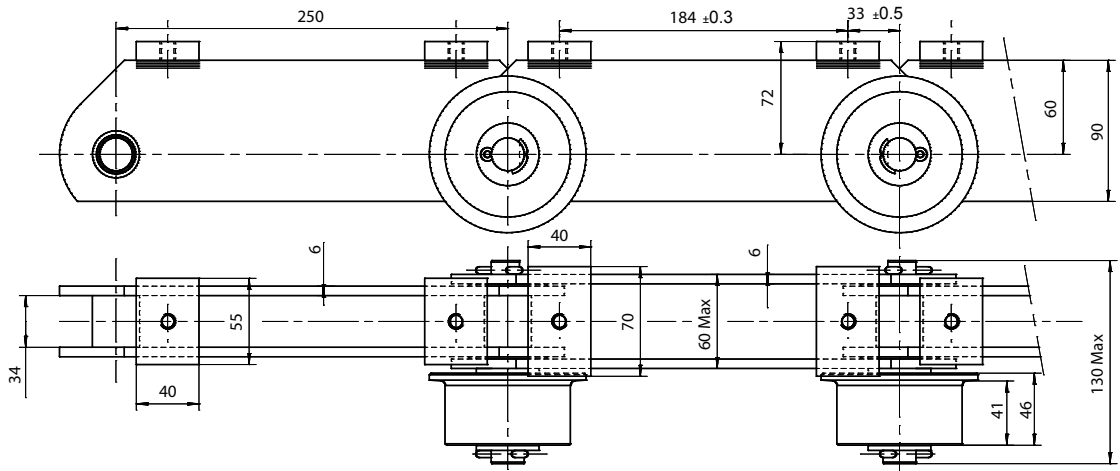


Green chains for conveying with straight side plates

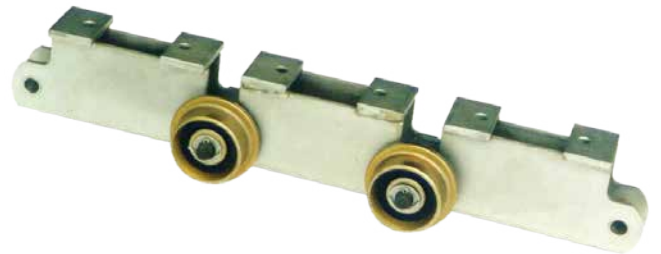
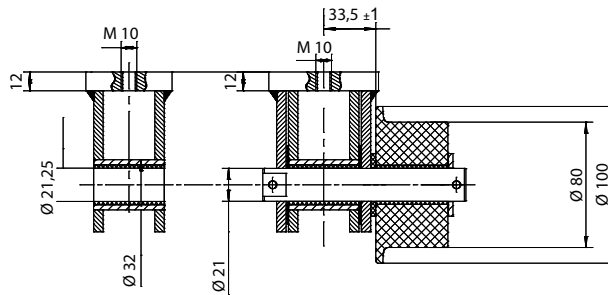


SPECIAL CHAINS FOR FOUNDRIES ON REQUEST

Green conveyor chains (chaîne Verte®) with bridge

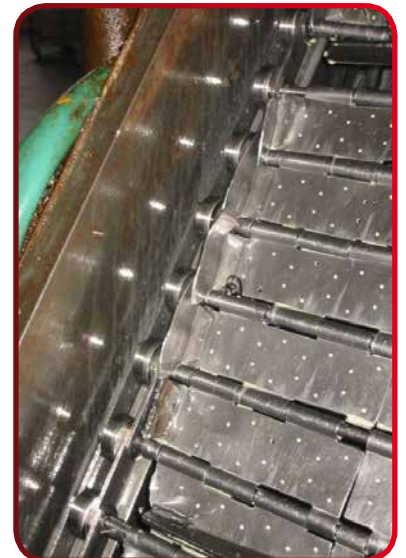
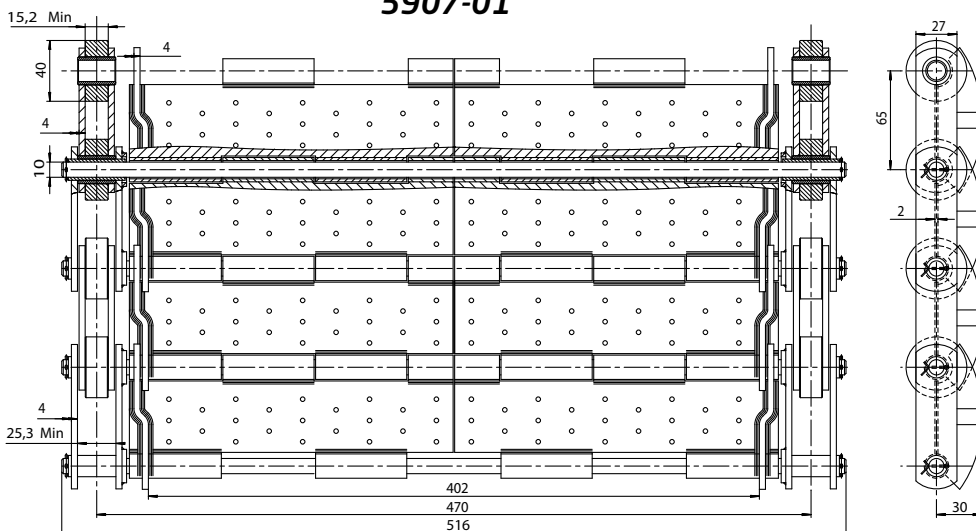


5514-25

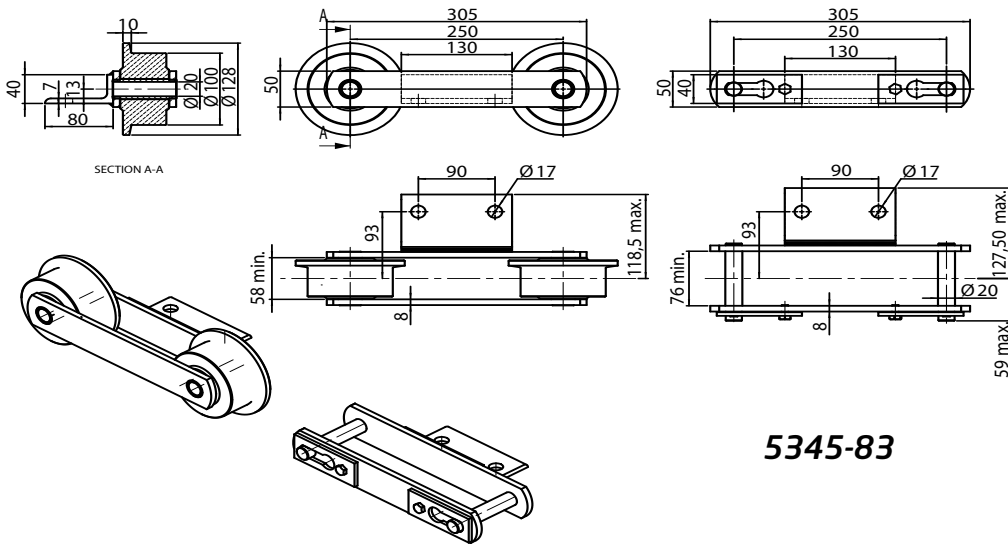


Conveyor chains for metal scrap

5907-01



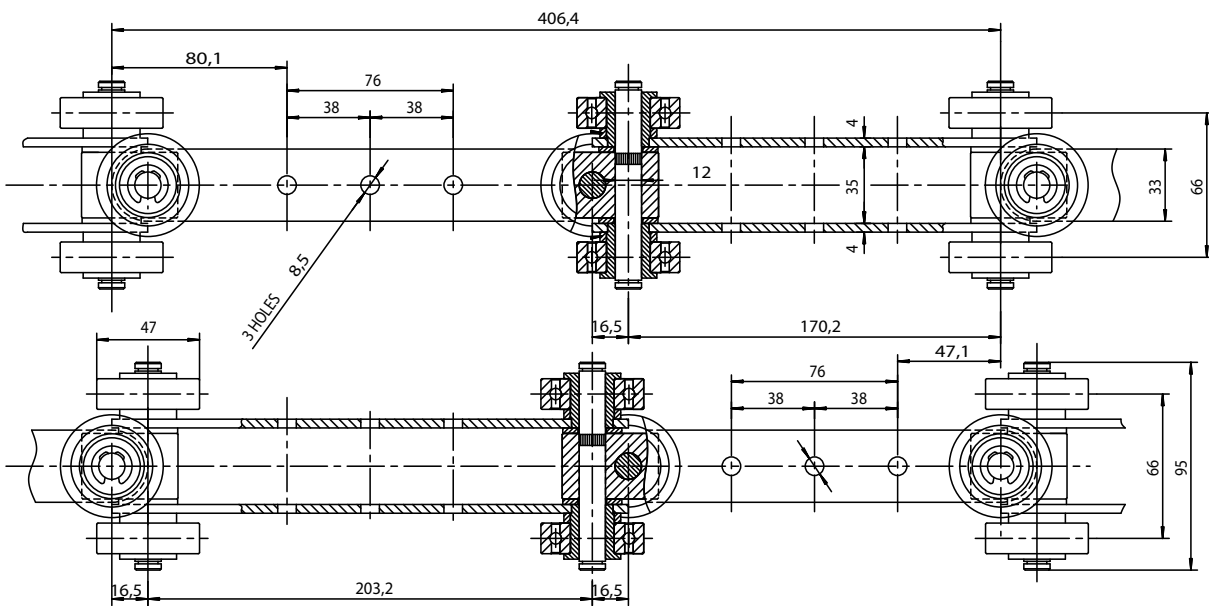
Conveyor chains for receiving metal sheets



5345-83

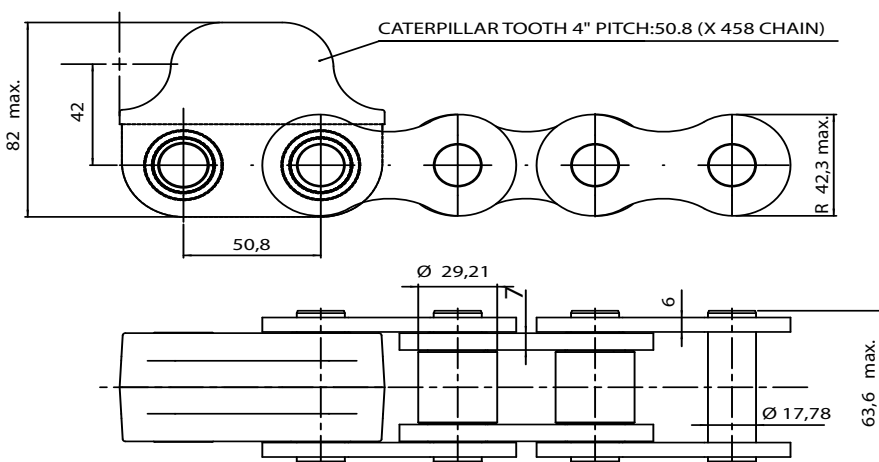


Overhead conveyor



5723-05

Power transmission chain using caterpillar system

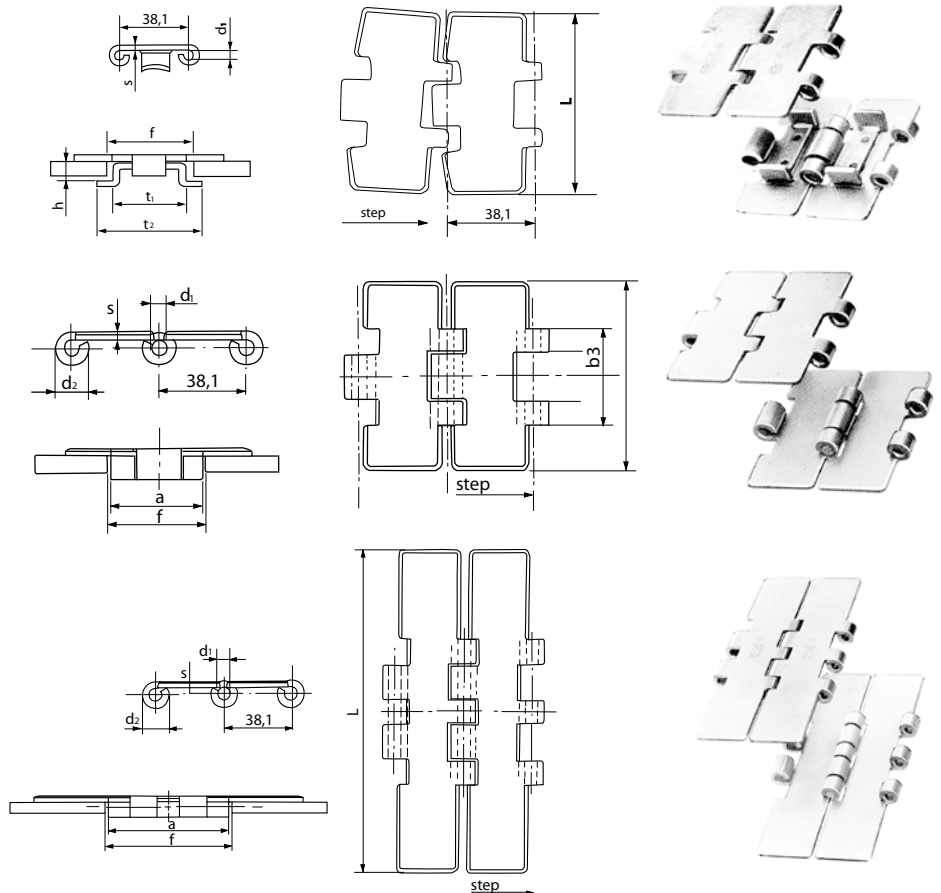
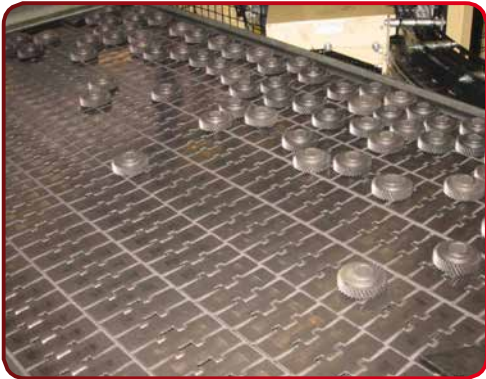


5281-90

For forged chain



Flat top chains



Sprockets - Wheels - Discs



Sprockets in two parts
IDEAL for MAINTENANCE



Central lubrication unit

- > COMPACT
- > INNOVATIVE DISTRIBUTION FUNCTION
- > PRE CONFIGURED INTERFACES

Contains a tank with a capacity of 7 litres integrated with the equipment and ensures greasing at a maximum of 6 points with just a cable. The quantum of grease applied each time is measured individually.

